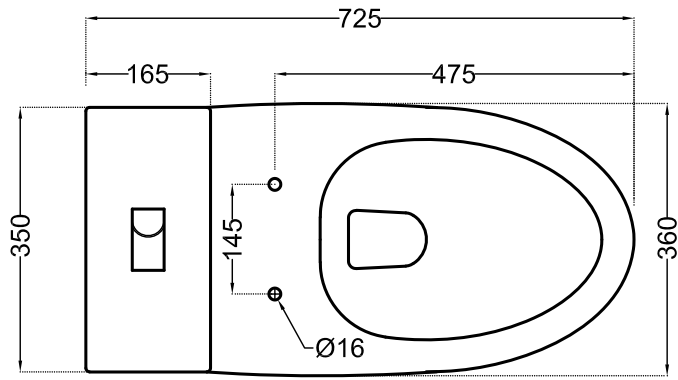
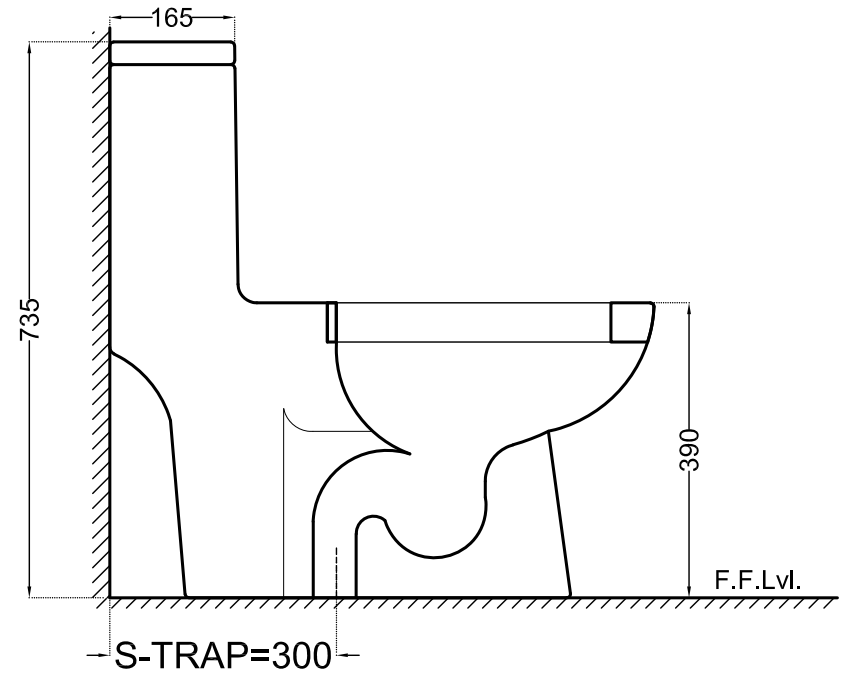


SLS-WHT-6851S300UF



SIDE VIEW



TOP VIEW

ALL DIMENSIONS ARE IN MM.
(TOLERANCE ± 5 MM)